



DETERMINE HEIGHT CURTAIN FABRIC *(FOR SEWING WORKROOMS)*

The heading height is the distance from the top of the curtain and the carrier eye. This ensures that the carriers and a part of track are hidden. The deduction measure must be deducted from the height of the curtain (measured from the ceiling).

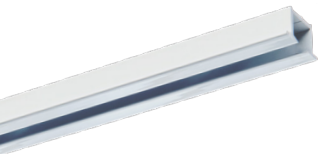
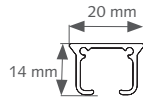
NOTE: The sizes as indicated above are from the top only. This overview is only intended for sewing workshops.

THE WORLD
BEHIND
YOUR
CURTAINS

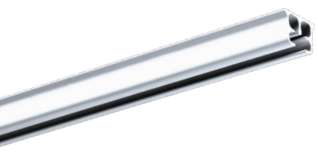
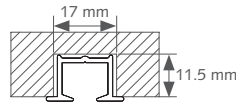
MANUAL CURTAIN TRACK SYSTEMS



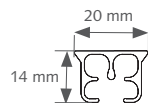
FOREST KS®



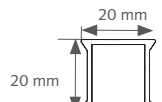
FOREST KS® RECESS



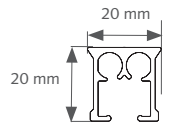
FOREST CKS®



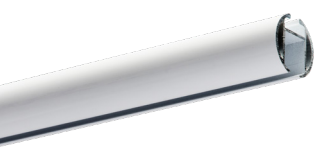
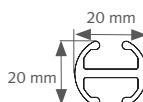
FOREST CS®



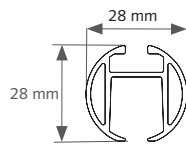
FOREST CCS®



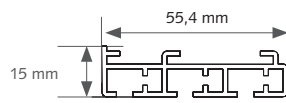
FOREST CRS® 20MM



FOREST CRS® 28MM



FOREST PS®



PROFILE	PLEAT	WAVE
	 KS AS carrier Heading height 2,5 cm Deduction measure 2.2 mm	 Square Easywave carrier Deduction measure 19 mm
	 KS AS carrier Heading height 1 cm Deduction measure 3.2 mm	 Square Easywave carrier Deduction measure 8 mm
	 KS AS carrier Heading height 2.5 cm Deduction measure 2.2 mm	N/A
	 FMS carrier asymmetr. Heading height 3.5 cm Deduction measure 4.8 mm	 Square Easywave carrier Deduction measure 2,5 cm
	 FMS carrier asymmetr. Heading height 3.5 cm Deduction measure 4.8 mm	 Square Easywave carrier Deduction measure 25 mm
	 CRS carrier round Heading height 0.5 cm Deduction measure 26.8 mm	 Square Easywave carrier Deduction measure 25 mm
	 CRS carrier round Heading height 1 cm Deduction measure 31.7 mm	 Square Easywave carrier Deduction measure 33 mm
	 Panel System PS standard carrier Deduction measure 26 mm	

FOREST CRS® CORDED 28MM



FOREST DS®



FOREST DS-XL®



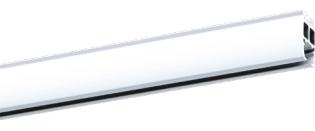
FOREST DS-XL® LED



FOREST MCS® 1/2 & 2/3



FOREST MTS®

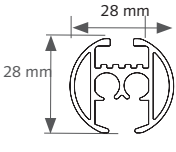
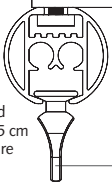
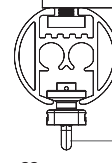
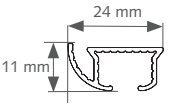
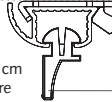
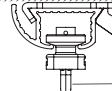
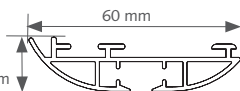
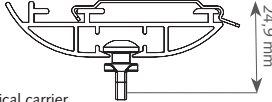
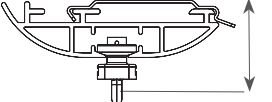
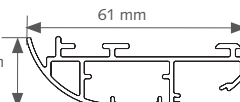
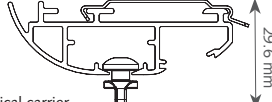
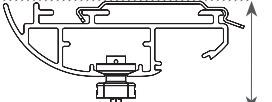
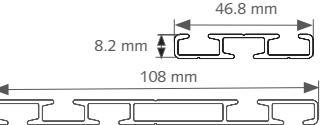
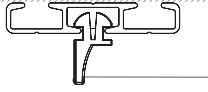
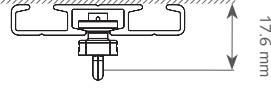
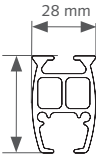
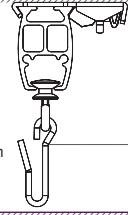
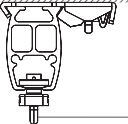
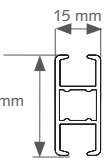
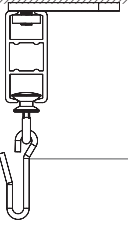
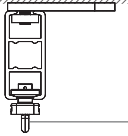
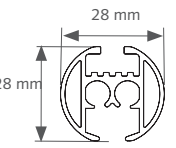
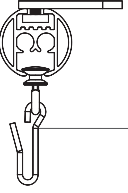
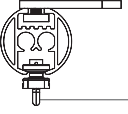


FOREST MTS® FLAT


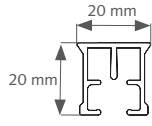
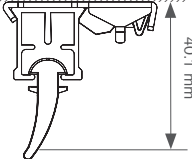
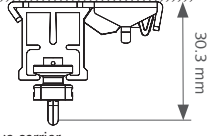

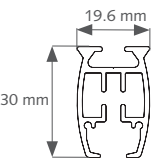
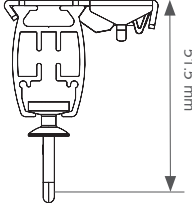
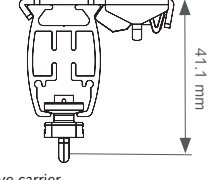

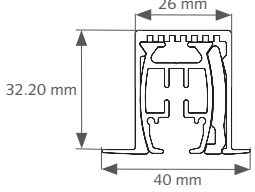
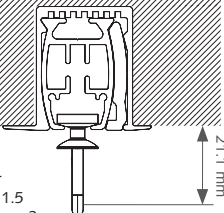
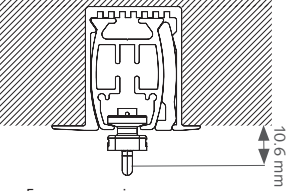

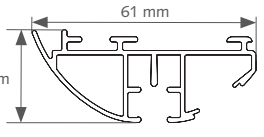
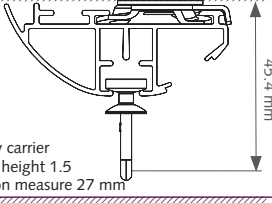
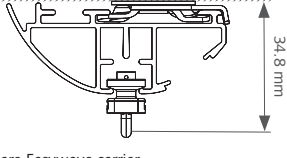

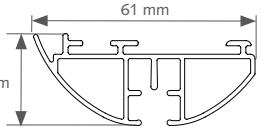
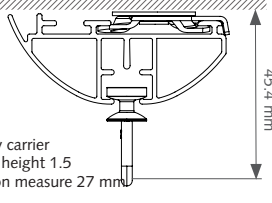
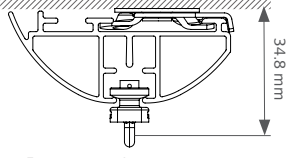

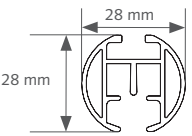
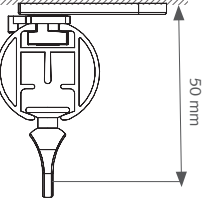
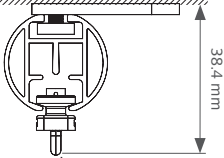


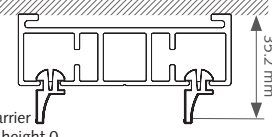
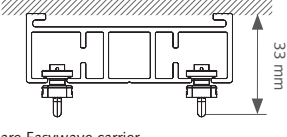


FOREST MTS® ROUND



PROFILE	PLEAT	WAVE
 <p>28 mm</p>	 <p>MRS carrier round Heading height 1.5 cm Deduction measure 29.6 mm</p> <p>47.6 mm</p>	 <p>33 mm</p> <p>Square Easywave carrier Deduction measure 33 mm</p> <p>38.6 mm</p>
 <p>24 mm</p> <p>11 mm</p>	 <p>Carrier assymetr. Heading height 2 cm Deduction measure 2 mm</p> <p>25 mm</p>	 <p>16 mm</p> <p>Square Easywave carrier Deduction measure 16 mm</p> <p>22 mm</p>
 <p>60 mm</p> <p>15 mm</p>	 <p>Economical carrier Heading height 0 cm Deduction measure 7 mm</p> <p>24.9 mm</p>	 <p>18 mm</p> <p>Square Easywave glijder Deduction measure 18 mm</p> <p>25.3 mm</p>
 <p>61 mm</p> <p>20 mm</p>	 <p>Economical carrier Heading height 0 cm Deduction measure 23 mm</p> <p>29.6 mm</p>	 <p>23 mm</p> <p>Square Easywave carrier Deduction measure 23 mm</p> <p>30 mm</p>
 <p>46.8 mm</p> <p>8.2 mm</p> <p>108 mm</p> <p>8.2 mm</p>	 <p>Carrier assymetr. Heading height 0 cm Deduction measure 8.5 mm</p> <p>20 mm</p>	 <p>8.2 mm</p> <p>Square Easywave carrier Deduction measure 8.2 mm</p> <p>17.6 mm</p>
 <p>28 mm</p> <p>28 mm</p>	 <p>MTS carrier with Stainless steel hook Heading height 0 cm Deduction measure 71.5 cm</p> <p>71.5 mm</p>	 <p>33 mm</p> <p>Square Easywave carrier Deduction measure 33 mm</p> <p>41.1 mm</p>
 <p>15 mm</p> <p>33 mm</p>	 <p>MTS carrier with Stainless steel hook Heading height 0 cm Deduction measure 76 mm</p> <p>76 mm</p>	 <p>38 mm</p> <p>Square Easywave carrier Deduction measure 38 mm</p> <p>45.6 mm</p>
 <p>28 mm</p> <p>28 mm</p>	 <p>MTS carrier with Stainless steel hook Heading height 0 cm Deduction measure 69 mm</p> <p>69 mm</p>	 <p>33 mm</p> <p>Square Easywave carrier Deduction measure 33 mm</p> <p>38.6 mm</p>

MOTORISED TRACK SYSTEMS

	PROFILE	PLEAT	WAVE
FOREST FMS® 		 FMS carrier Heading height 3.5 Deduction measure 3 mm	 Square Easywave carrier Deduction measure 25 mm
FOREST FMS® PLUS 		 Economy carrier Heading height 4.5 Deduction measure 3 mm	 Square Easywave carrier Deduction measure 35 mm
FOREST FMS® PLUS RECESS 		 Economy carrier Heading height 1.5 Deduction measure 3 mm	 Square Easywave carrier Deduction measure 4 mm
FOREST DS-XL® LED / DOUBLE LED 		 Economy carrier Heading height 1.5 Deduction measure 27 mm	 Square Easywave carrier Deduction measure 28 mm
FOREST DS-XL® 		 Economy carrier Heading height 1.5 Deduction measure 27 mm	 Square Easywave carrier Deduction measure 28 mm
FOREST MRS® 		 MRS carrier round Heading height 1.5 Deduction measure 32 mm	 Square Easywave carrier Deduction measure 33 mm
FOREST FMS® DUAL 		 KS AS Carrier Heading height 0 Deduction measure 8 mm	 Square Easywave carrier Deduction measure 24 mm

No rights can be derived from the information in this specification sheet. Subject to change and printing errors.